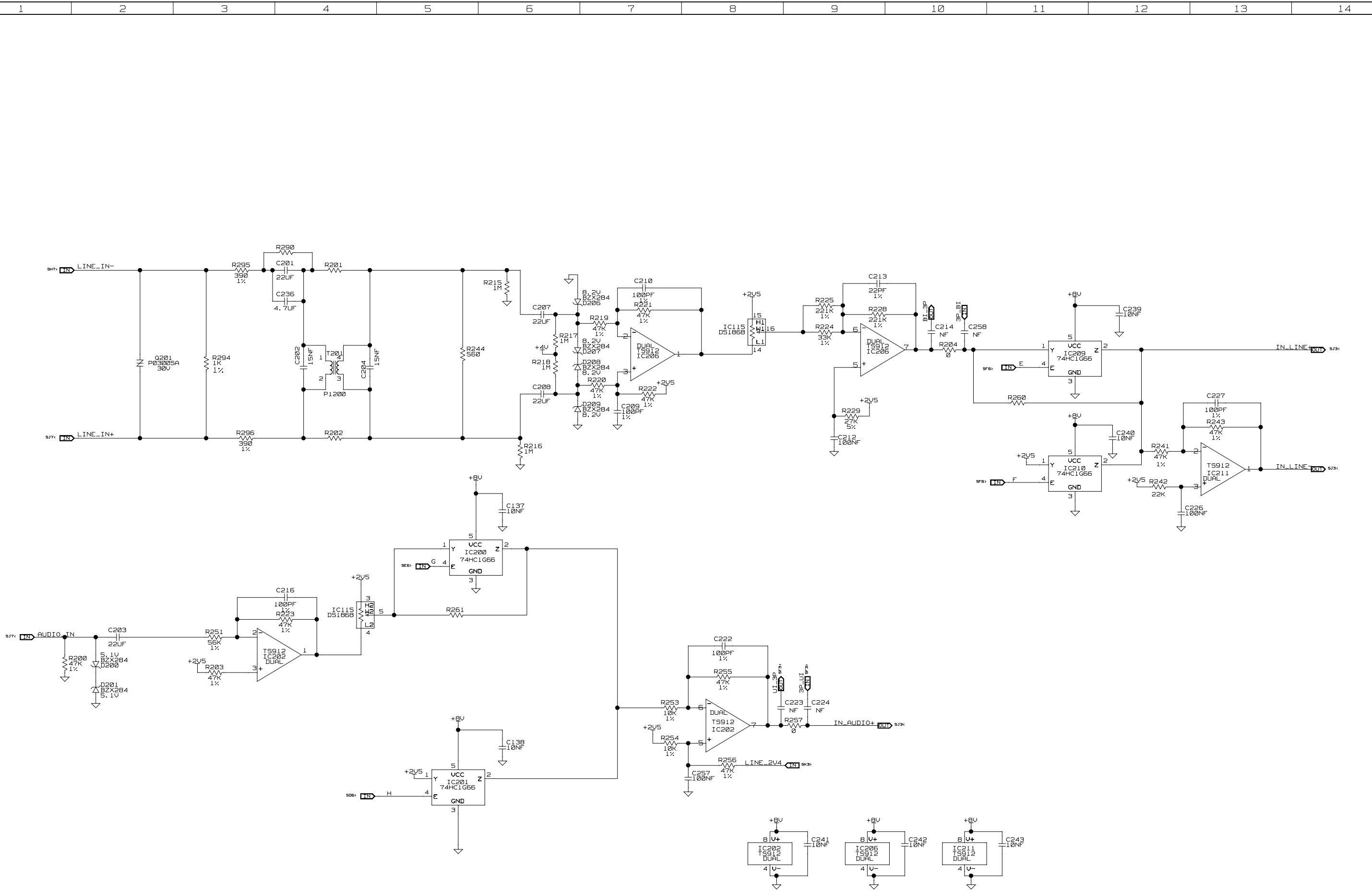


- BADMK1
- BADMK2
- F3 FIDUCIAL
- F4 FIDUCIAL
- FID2 FIDUCIAL
- FID1 FIDUCIAL

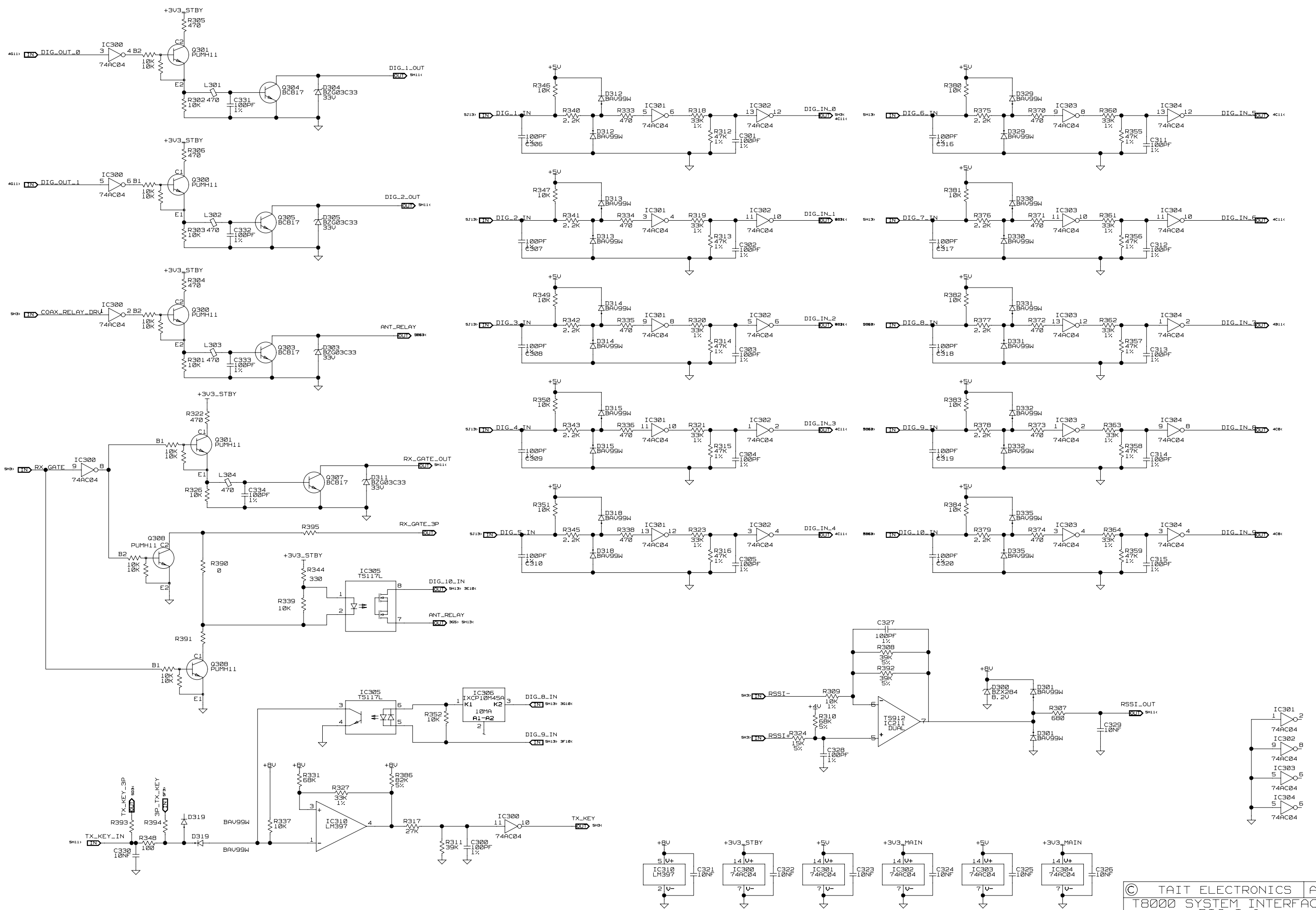
© TAIT ELECTRONICS | A1  
 T8000 SYSTEM INTERFACE  
 AUDIO OUTPUTS  
 IPN: 220-02026-03 | ISSUE: A | VARIANT NUMBER: 0  
 ENGINEER: LUCAS A | FILE NAME: 220\_02026 | FILE DATE: 1-9-2002 | SHEET NUMBER: 1 OF 5

01A	CLONED FROM 225-00227-05	PG	CHKD	D.O.	APVD	4/6/02
REV/ISS	AMENDMENTS	DRAWN				DATE



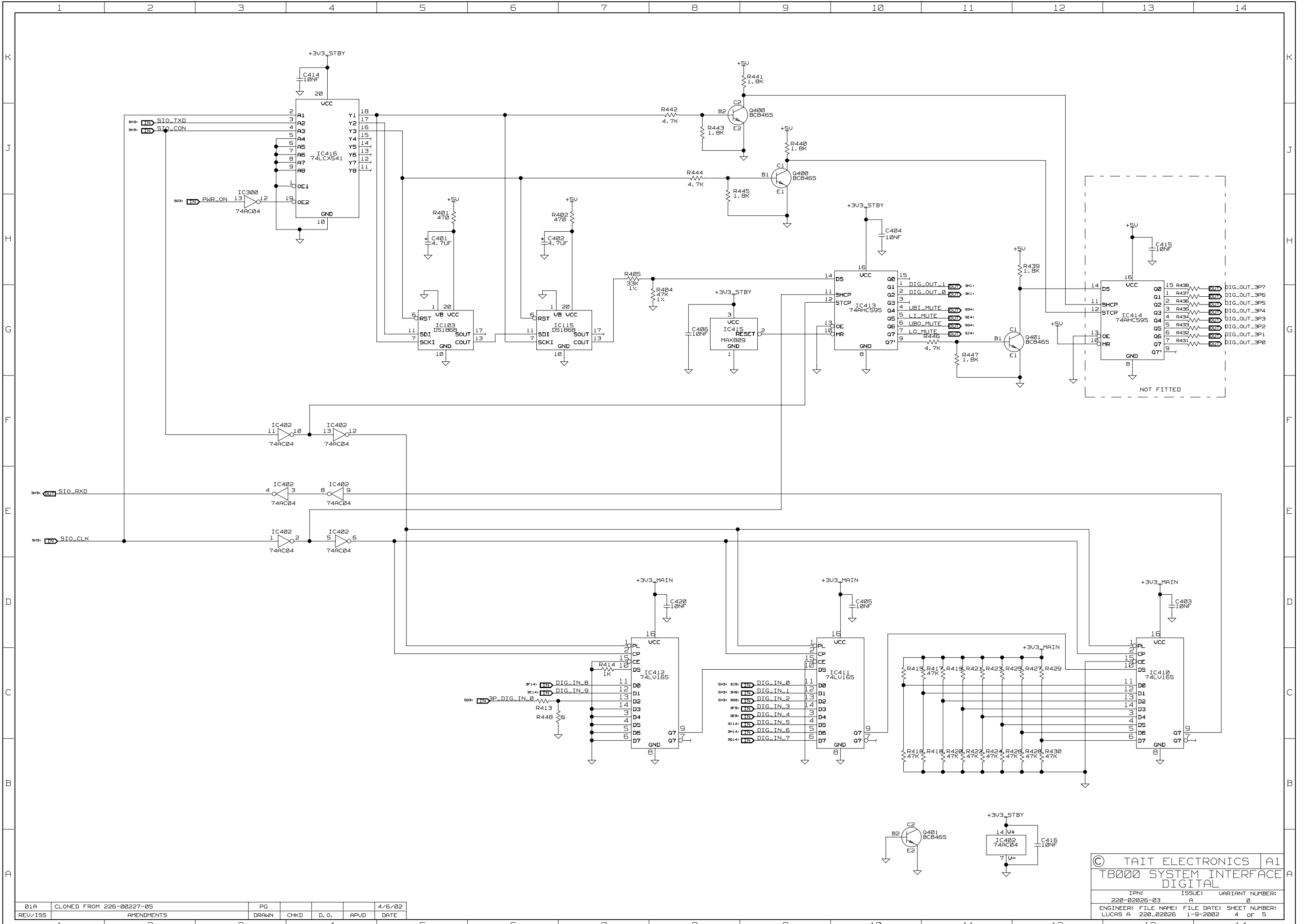
© TAIT ELECTRONICS | A1  
 T8000 SYSTEM INTERFACE  
 AUDIO INPUTS  
 IPN: 220-02025-03 | ISSUE: A | VARIANT NUMBER: 0  
 ENGINEER: LUCAS A | FILE NAME: 220\_02025 | FILE DATE: 1-9-2002 | SHEET NUMBER: 2 OF 5

01A	CLONED FROM 226-02227-05	PG	4/6/02
REV/ISS	AMENDMENTS	DRAWN	DATE



02A	CLONED FROM 220-02025-01	LA			2/8/02
01A	CLONED FROM 225-02227-05	PG			4/6/02
REV/ISS	AMENDMENTS	DRAWN	CHKD	D.O.	APVD

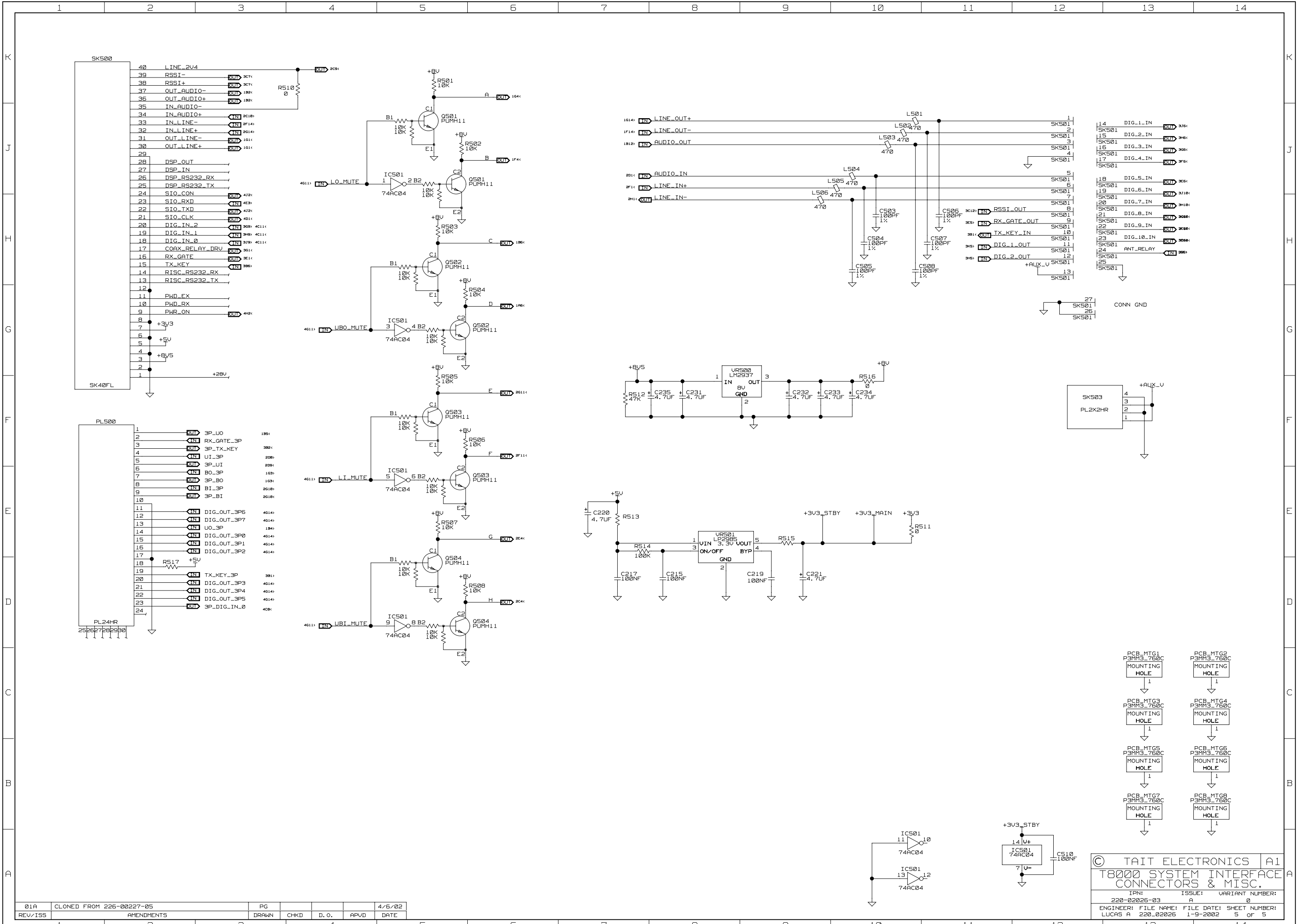
© TAIT ELECTRONICS A1  
 T8000 SYSTEM INTERFACE  
 DIG I/O  
 IPN: 220-02025-03 ISSUE: A VARIANT NUMBER: 0  
 ENGINEER: LUCAS A FILE NAME: 220\_02025\_2-9-2002 FILE DATE: SHEET NUMBER: 3 OF 5



© TAIT ELECTRONICS | A1  
 T8000 SYSTEM INTERFACE  
 DIGITAL

IPN:	ISSUE:	VARIANT NUMBER:
220-02026-03	A	0
ENGINEER:	FILE NAME:	FILE DATE:
LUCAS A	220_02026	1-9-2002
SHEET NUMBER:	4 OF 5	

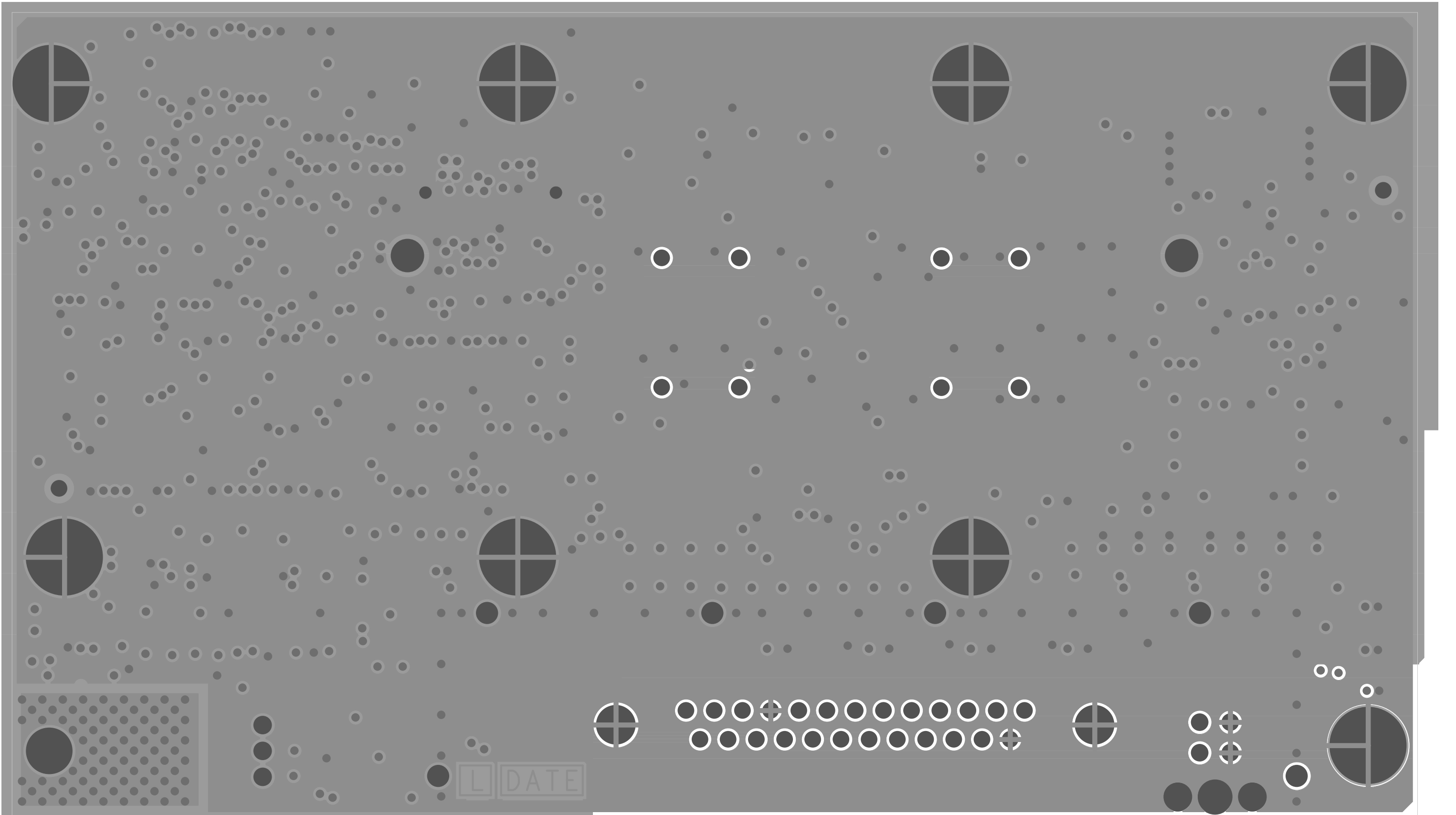
01A	CLONED FROM 225-00227-05	PG	4/6/02
REV/ISS	AMENDMENTS	DRAWN	DATE
1			
2			
3			
4			
5			
6			
7			
8			
9			
10			
11			
12			
13			
14			



© TAIT ELECTRONICS A1  
 T8000 SYSTEM INTERFACE CONNECTORS & MISC.  
 IPN: 220-02026-03 ISSUE: A VARIANT NUMBER: 0  
 ENGINEER: LUCAS A FILE NAME: 220\_02026 DATE: 1-9-2002 SHEET NUMBER: 5 OF 5

01A	CLONED FROM 226-00227-05	PG				4/6/02
REV/ISS	AMENDMENTS	DRAWN	CHKD	D.O.	APVD	DATE





L DATE